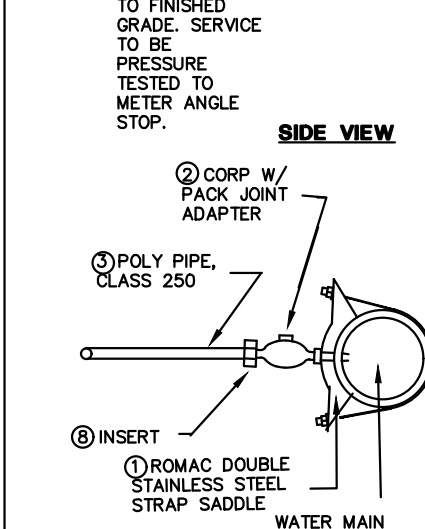
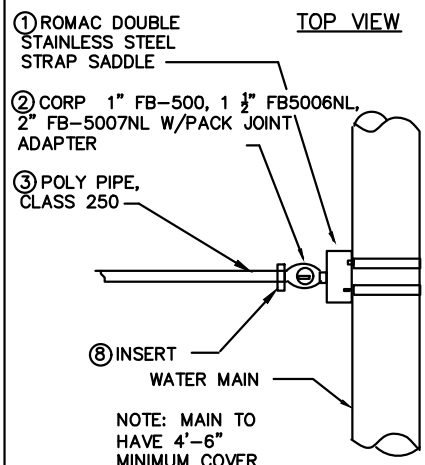


APPROVED TAPPING METHOD



APPROVED TAPPING METHOD AND PARTS	
ITEM NO.	NO. REQ'D. DESCRIPTION
1	1 ROMAC DOUBLE STRAP SERVICE SADDLE
2	1 IPS x POLY PACK JOINT BRONZE CORPORATION STOP.
3	1 1", 1 1/2", 2" x POLY REQ. LENGTH - USE PIPE SIZE, 250 PSI POLYETHYLENE SERVICE LINE
4	1 IPS x POLY BRASS PACK JOINT ADAPTER
5	1 MIN 10' LONG - GALVANIZED IRON PIPE BACK SIDE
6	1 GALVANIZED CAP.
7	1 * APPROVED NO LEAD COPPERSETTER, FORD 1" VBHC74-36W-11-44-NL A.Y. McDONALD 1" 720-436WDDDD44 FORD 1 1/2" VBH76-36-11-66 A.Y. McDONALD 1 1/2" 720-B636WDF665 FORD 2" VBH77-36-11-77 A.Y. McDONALD 2" 720-B736WDF775
8	2 POLY INSERTS WHERE NEEDED
9	1 MASTER RADIO READ METER - SEE WATER SYSTEM NOTES #21 METER LENGTH: 1" = 11"; 1 1/2" = 13"; 2" = 17"
10	4 1" 17x28x12 ARMORCAST BOX #A6001419 1 1/2" AND 2" 17x30x12 A6001640PCX12 Raise 4" PVC valve box to surface w/ Tyler cast iron valve box top & 5 1/4" drop lid.

- NOTES:**
- ALL BRASS MATERIALS USED IN CONTACT WITH POTABLE WATER ARE TO BE NO LEAD.
 - STABILIZER BAR MUST BE USED FOR SETTINGS HAVING POLY PIPE ON BOTH FRONT AND BACK SIDES.
 - ** NO PRIVATE CONNECTIONS OR FITTINGS ALLOWED INSIDE THE METER BOX**.
 - POLY PIPE MAY BE USED WHEN CONNECTING TO AN EXISTING SERVICE WHEN A GALVANIZED CONNECTION CANNOT BE EASILY MADE.
 - * COMMERCIAL APPLICATIONS ADD (B) AFTER 36 FOR A COPPERSETTER BYPASS.

NOT TO SCALE

	East Greenacres Irrigation District	Approved by:
	<h1>1", 1 1/2", 2" Coppersetter Standard Pit Settings</h1>	05/07/21 Date
		Standard Drawing No. <h1>W-1</h1>