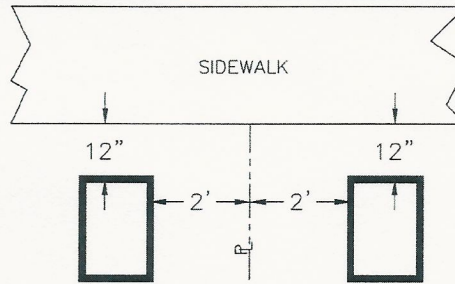
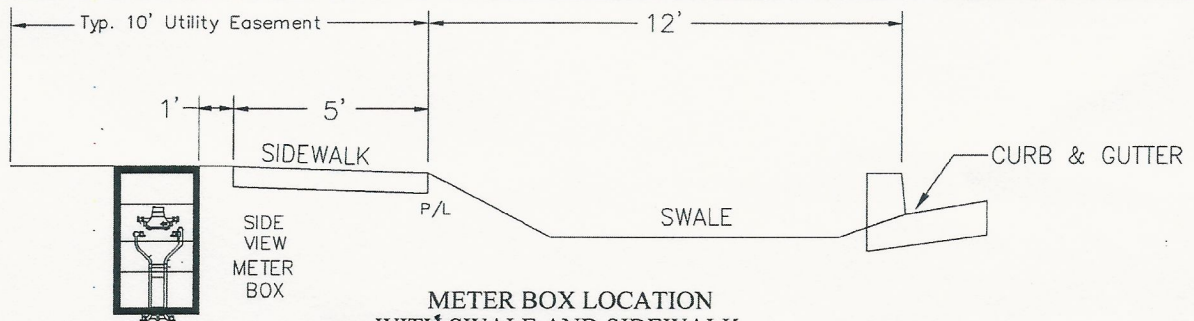


METER BOX LOCATION WITH PARK STRIP AND SIDEWALK

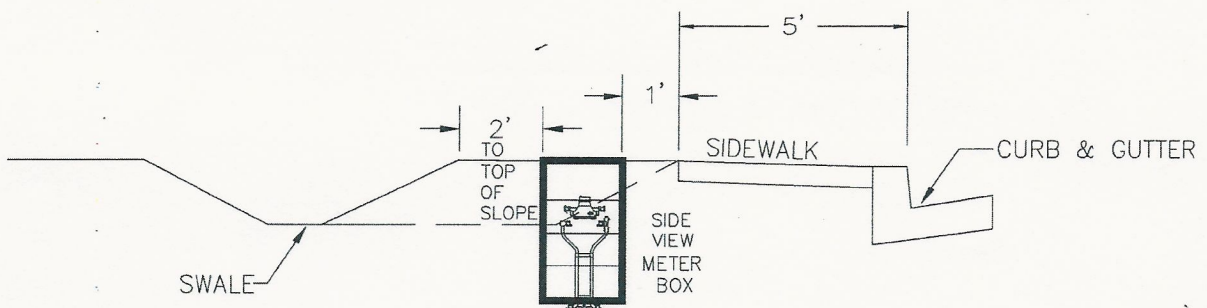
METER BOX LOCATION W/
METER BOX IN SIDEWALK
AND PROPERTY LINE AT
BACK OF SIDEWALK
- OR -
METER BOX LOCATION W/
METER BOX IN 5' UTILITY
EASEMENT BEHIND THE
SIDEWALK.



PLAN VIEW OF METER BOX LOCATIONS



METER BOX LOCATION WITH SWALE AND SIDEWALK



METER BOX LOCATION WITH SIDEWALK

NOT TO SCALE



East Greenacres Irrigation District

Water Meter Locations

Approved by:

5/19/15
Date

Standard Drawing No.

W-7